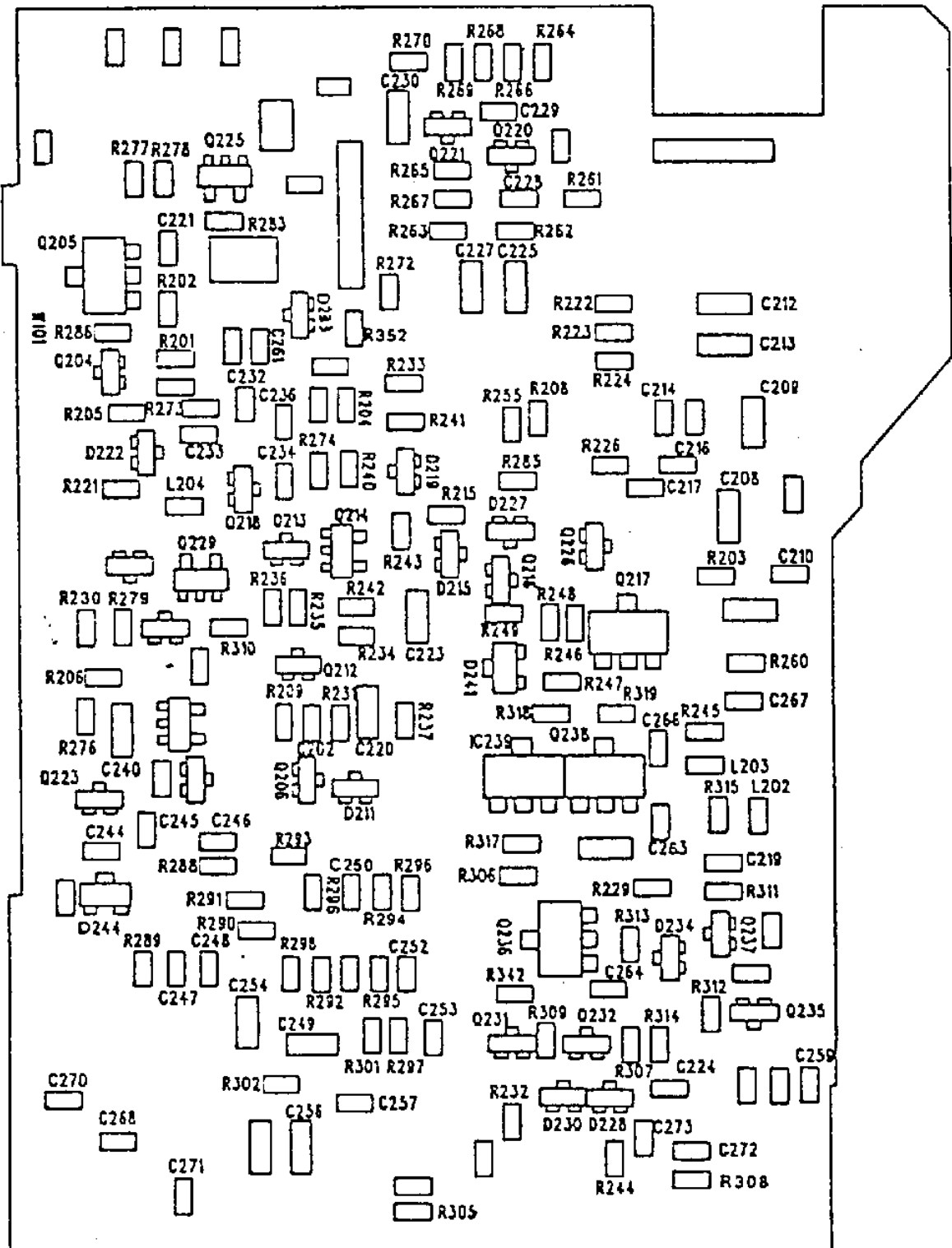
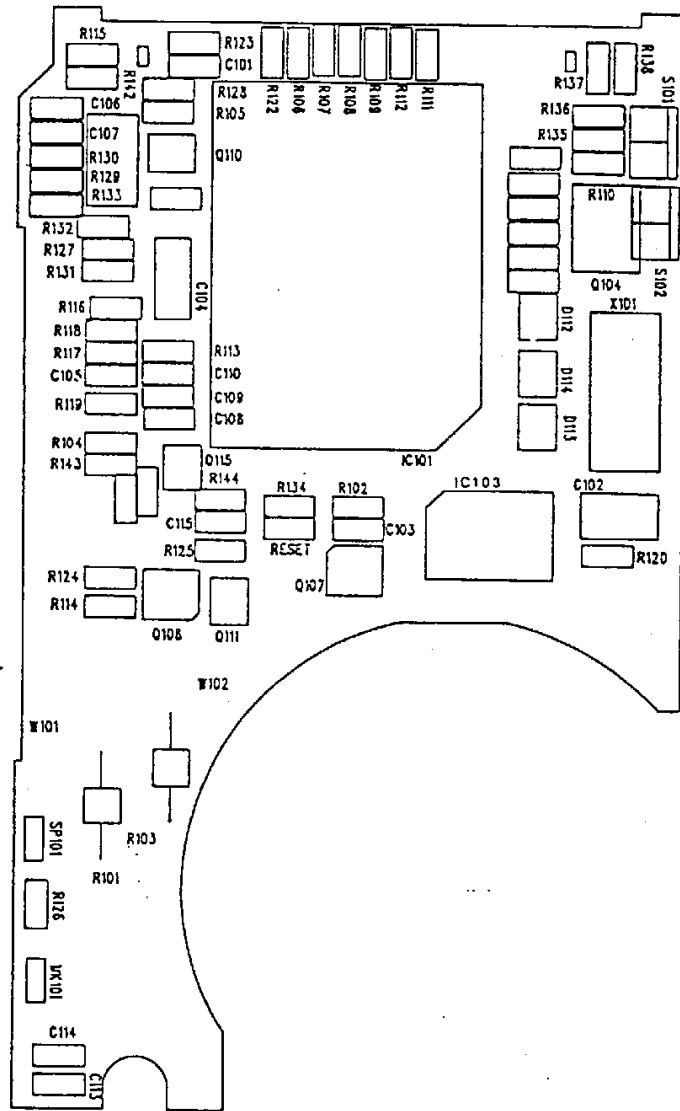


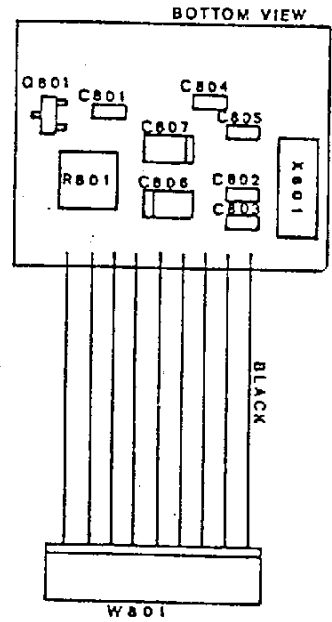
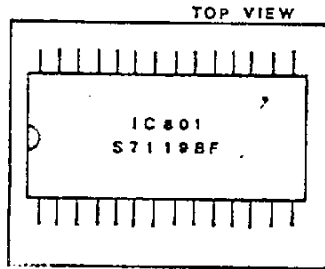
AUDIO BOARD
BOTTOM VIEW COMPONENT SIDE



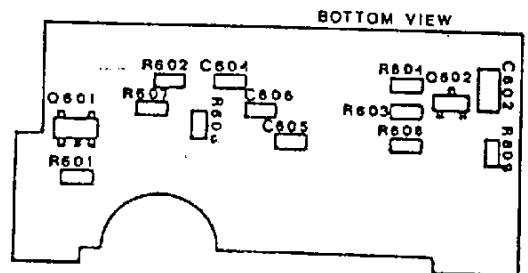
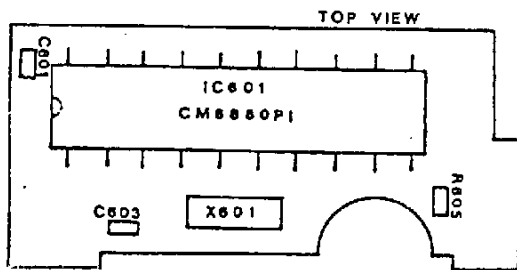
CPU BOARD
TOP VIEW COMPONENT SIDE

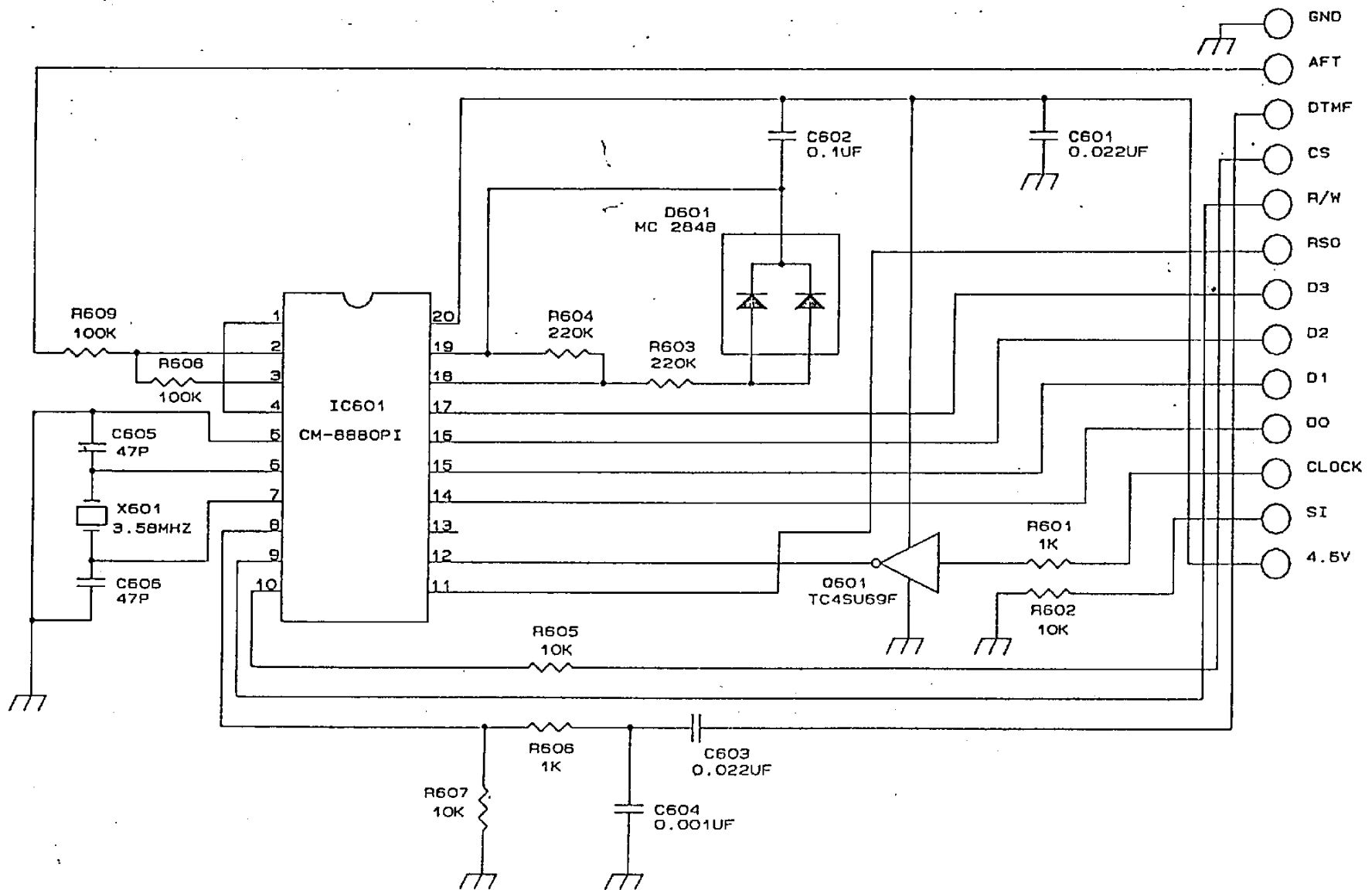


TOUCH TONE



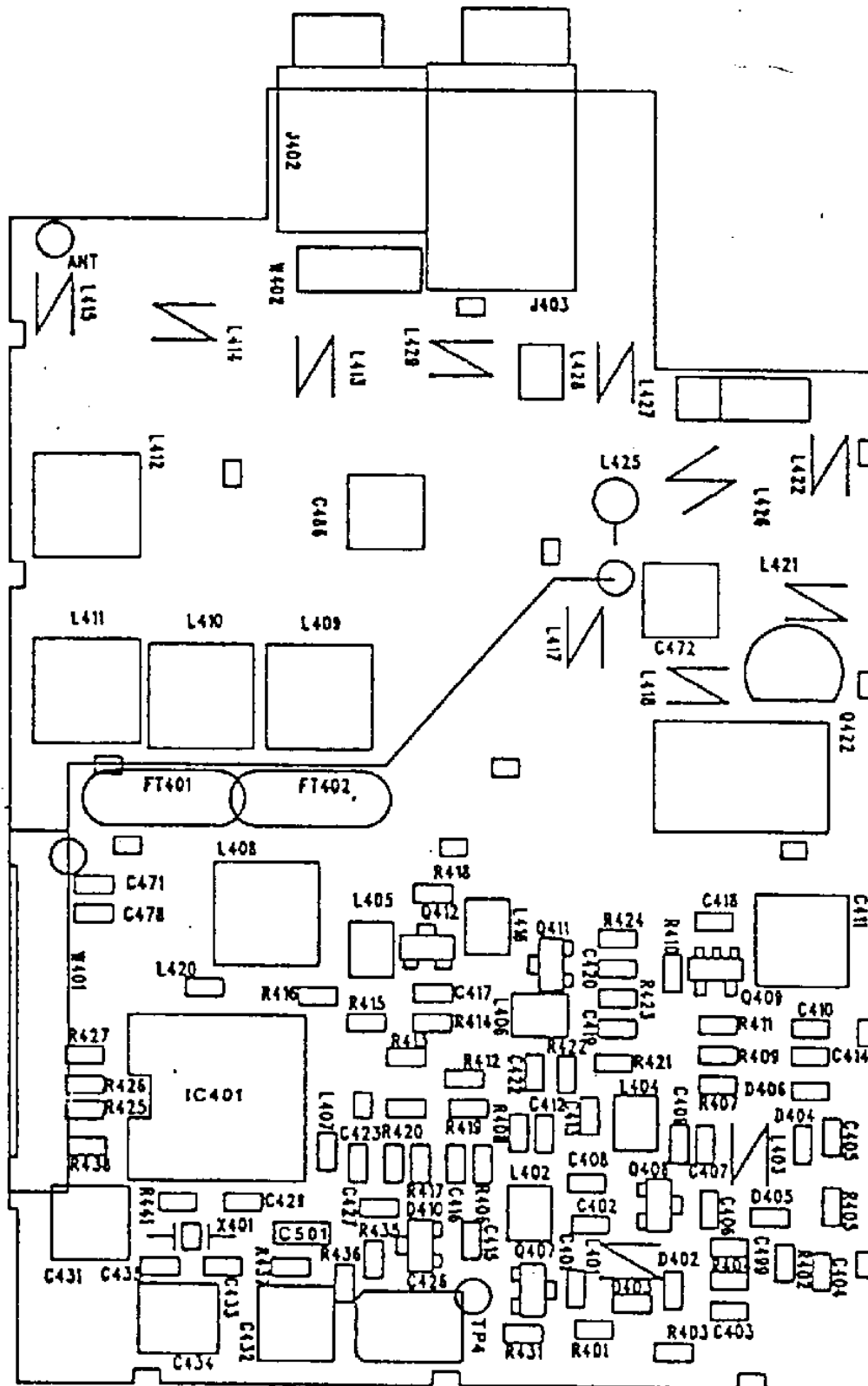
TOUCHE TONE

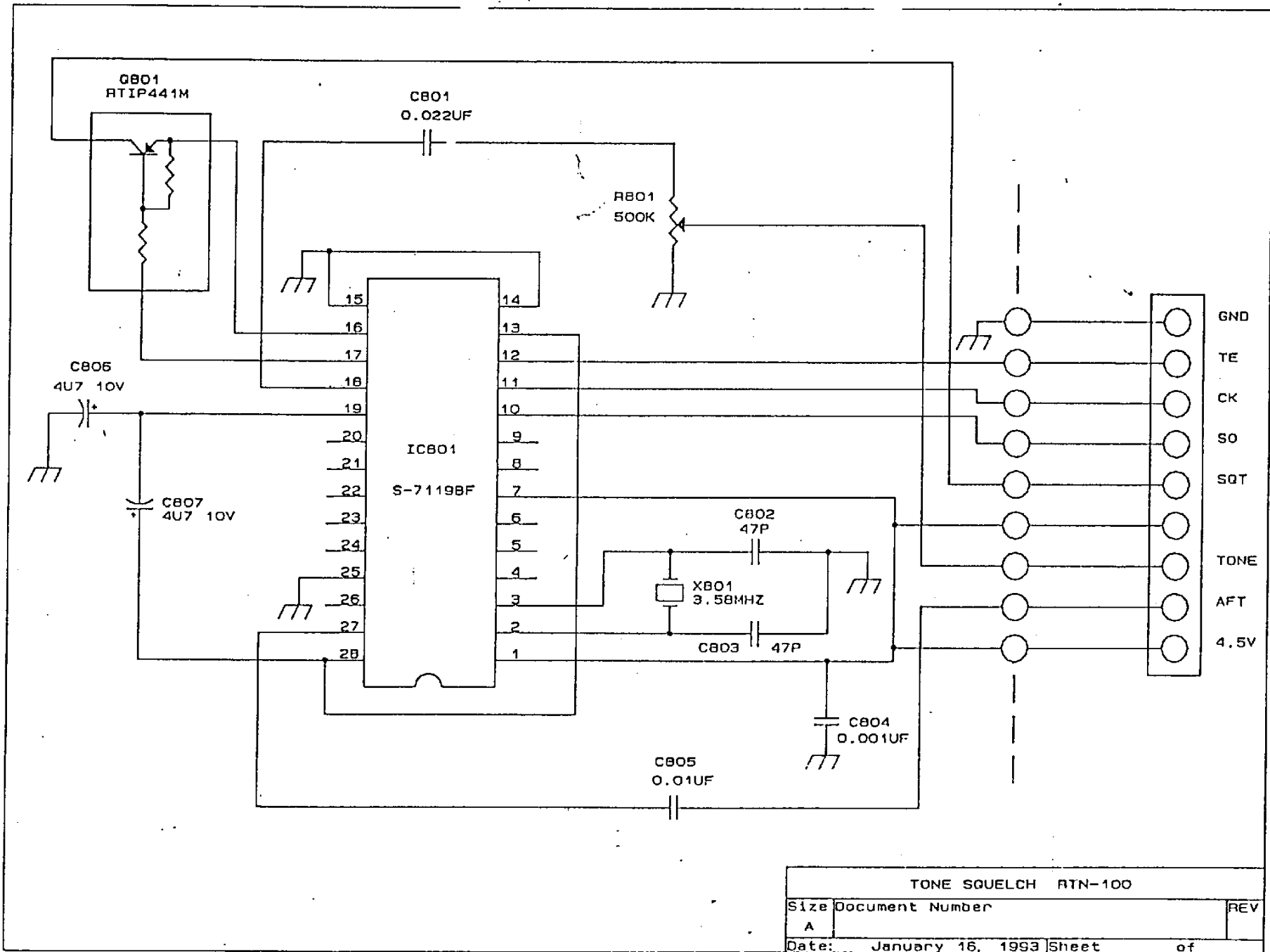




TOUCH TONE RDT-100		
Size	Document Number	REV
A		
Date:	January 16, 1993	Sheet of

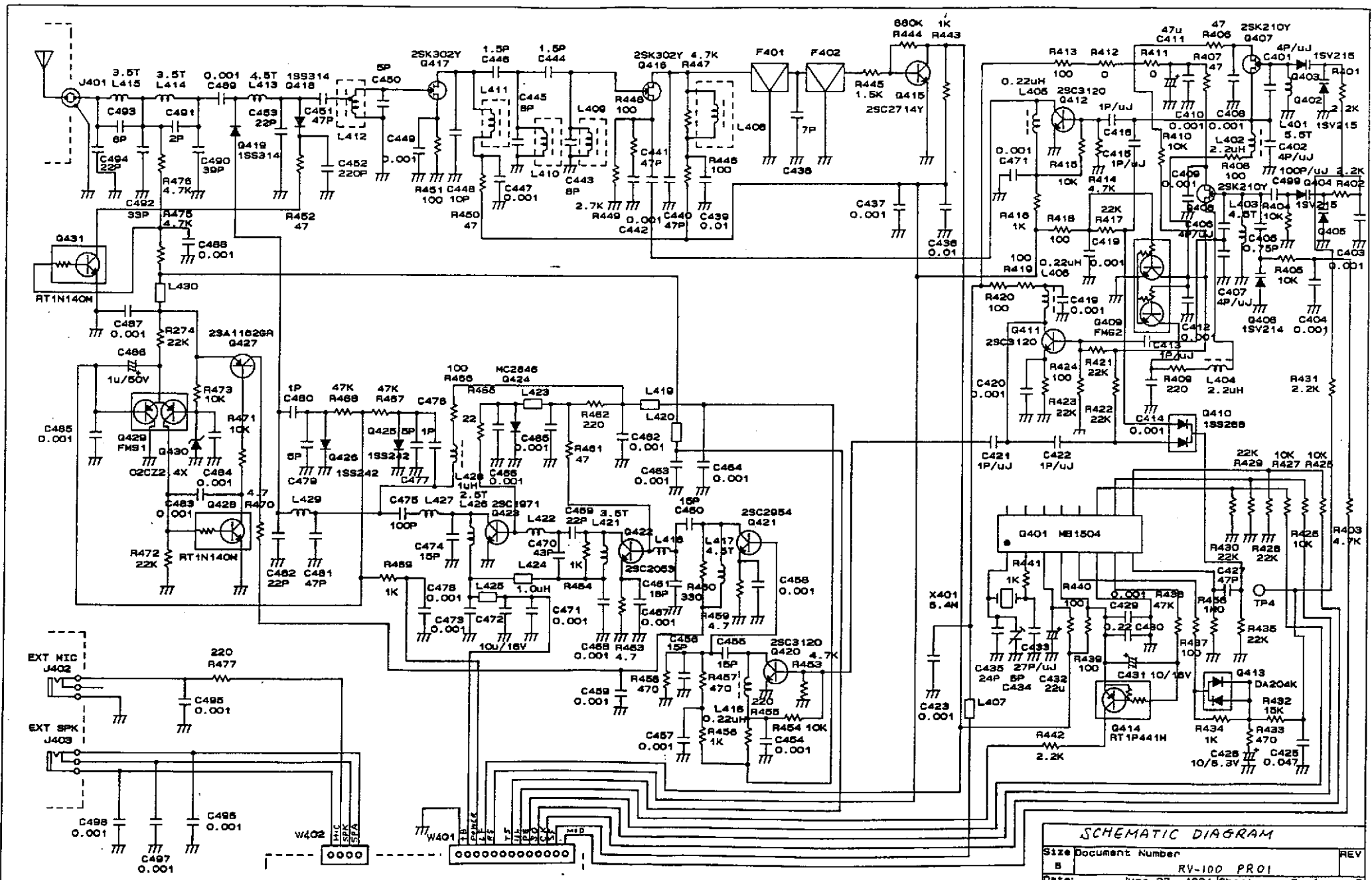
RF BOARD
TOP VIEW COMPONENT SIDE





TONE SQUELCH RTN-100

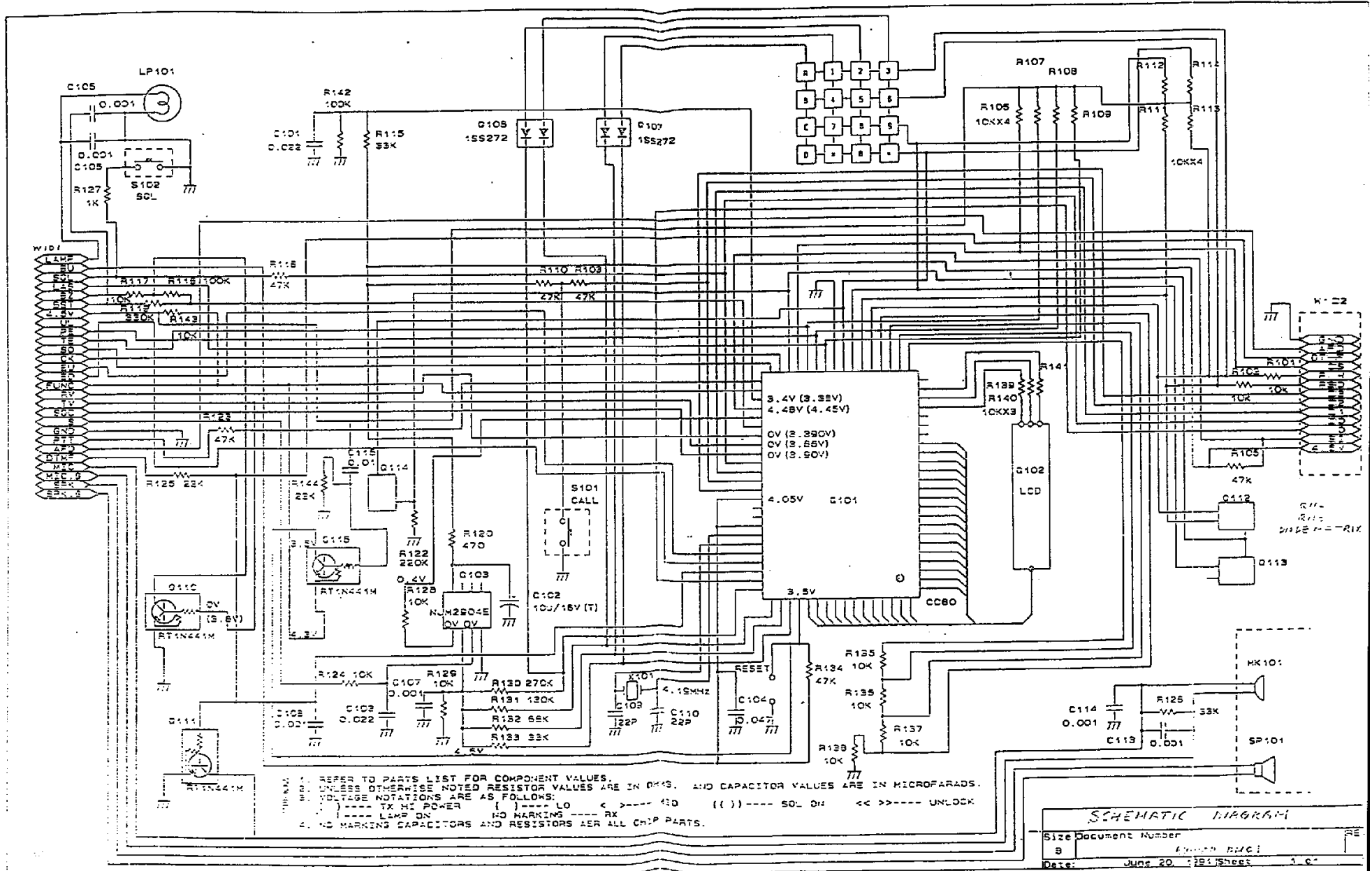
Size	Document Number	REV
A		
Date:	January 16, 1993	Sheet of



SCHEMATIC DIAGRAM

Size Document Number REV
 B RV-100 PRO1
 Date: June 23, 1991 Sheet 3 of 3

RV100 (\approx RL102) CPU



RV, 100